

# Technical Guidance

## Edge sealing to dry lining

### Question

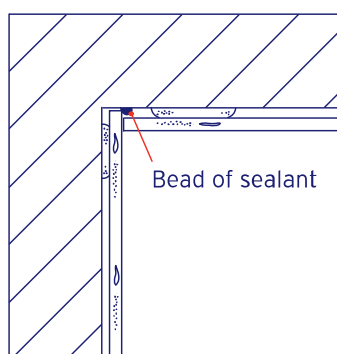
Can a bead of sealant be used to seal the perimeter of dry lining on adhesive dabs as an alternative to a continuous ribbon of adhesive?

### Considerations

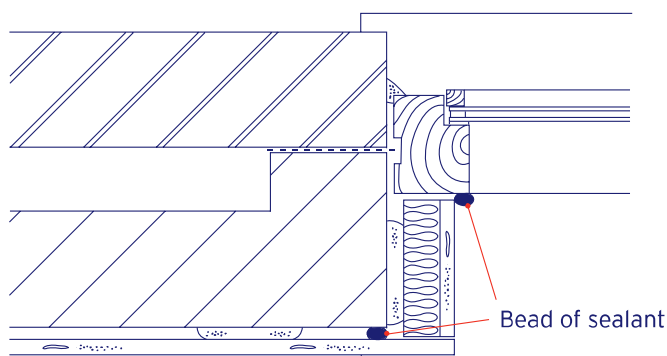
- NHBC Standards clause 8.2 – S3(f) refers to the use of a continuous ribbon of adhesive applied around to perimeter of external walls, openings and services to prevent air infiltration.
- 'Robust Details' also refers to the use of continuous ribbons of adhesive. It says, 'The importance of correct sealing of dry lining on dabs needs to be stressed, as this is the key area of air infiltration and can seriously affect the overall ventilation rate'.

### Answer

A flexible sealant is an acceptable alternative to a continuous ribbon of adhesive to wall perimeters and around openings and perforations to seal against air infiltration.



Typical internal corner detail



Typical window reveal detail