

Technical Guidance

Drainage – connections to pre-formed inspection chamber bases

Question

Where pre-formed plastic inspection chamber bases are used does the main channel entry connection have to be used in all instances or can connections be made using the branch connections?

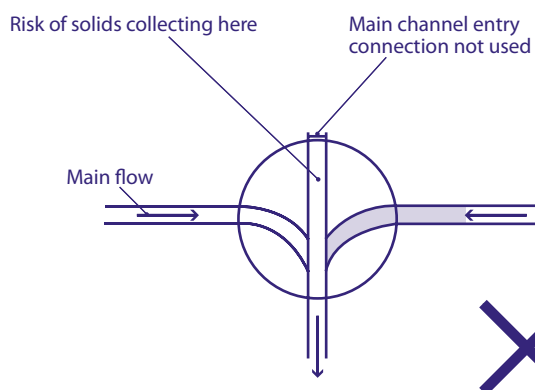
Considerations

- The entry connections should ensure no deposits can accumulate within the base where they can then lodge and cause blockages.
- The manufacturer's installation recommendations should be followed.

Answer

To avoid a build up of solids the main channel entry connection should be used in all cases. Where two drains meet a base from different directions, the inspection chamber should be turned and swept bends used to connect one drain to the main channel. The other drain can then be connected to a side entry as shown below.

Incorrect manhole installation



Correct manhole installation

