

Termination of horizontal flues

(December 2008) (First issue)



Question

What is the interpretation of an 'opening' in relation to the position of a horizontal gas or oil flue terminal?

Considerations

- NHBC Standards Chapter 6.8, Appendix E & F Approved Document J (England & Wales), Part L Building Regulations (N Ireland) and Technical Handbook - Domestic section 3 (Scotland), quote the minimum distances gas and oil flue terminals should be located from openings into a building.
- The flue terminal should be located where the products of combustion will safely disperse without entering the building through openable windows, doors or permanent openings such as air vents.

Answer

Figures 1 to 6 show the minimum distances gas and oil flue terminals should be located from 'openings', e.g. window, door or air vent (e.g. trickle vent, extract fan outlet). Where an installation relates to more than one of the figures shown the more onerous dimension should be used.

The distances quoted are horizontal distances measured parallel to the face of the wall from the edge of the 'opening' to the outer casing of the flue.

Termination of horizontal flues

(December 2008) (First issue)

Flues serving oil-fired appliances (with pressure jet burners)

Figure 1

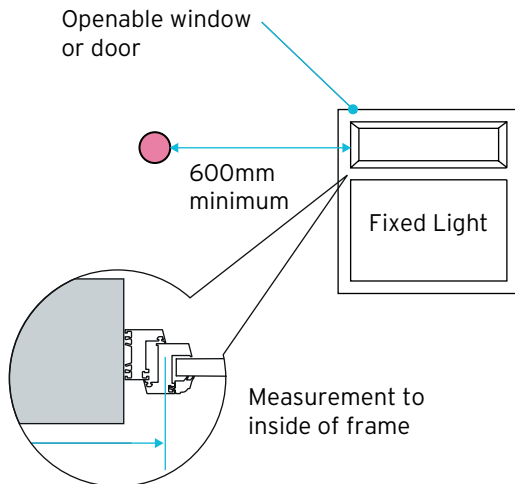


Figure 2

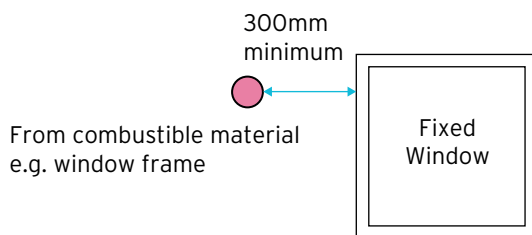
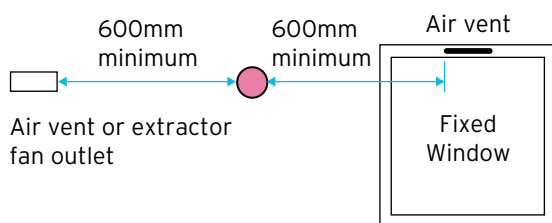


Figure 3



Oil

'Opening' means an openable window, door or a permanently open air vent (including trickle vents and extractor fan outlet).

Flues serving gas appliances (fan flued)

Figure 4

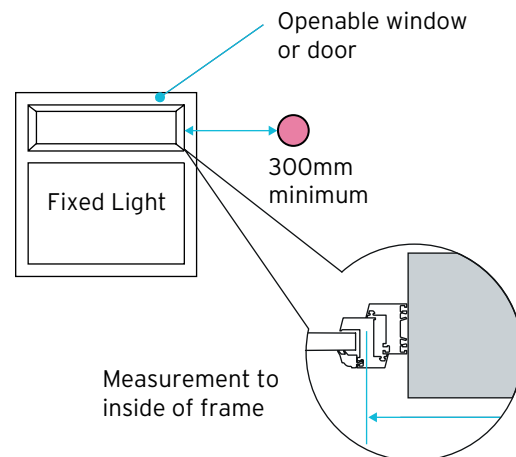


Figure 5

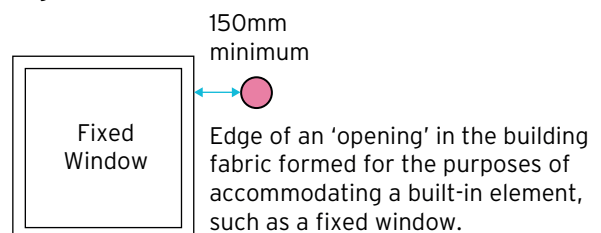
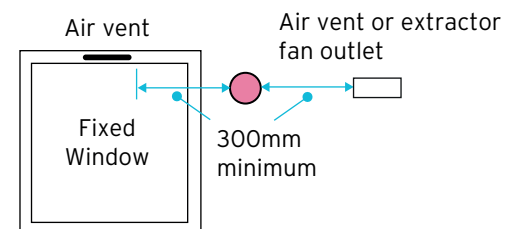


Figure 6



Gas

'Opening' means an openable window, door, or a fixed opening such as an air vent/extractor fan outlet. 'Opening' can also refer to an opening in the building fabric as shown in Figure 5.